

paullucco

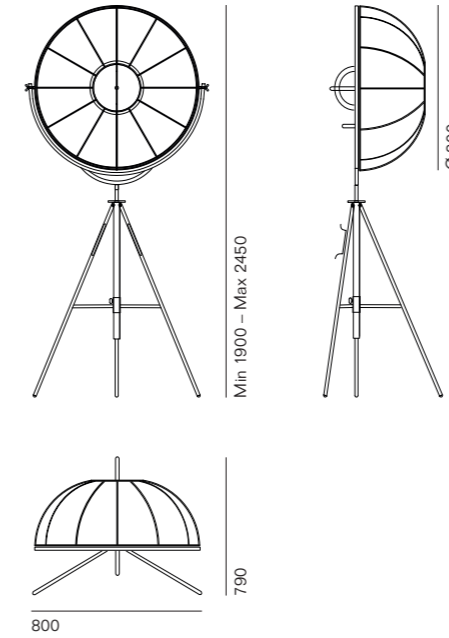
best sellers 2022

indice
index

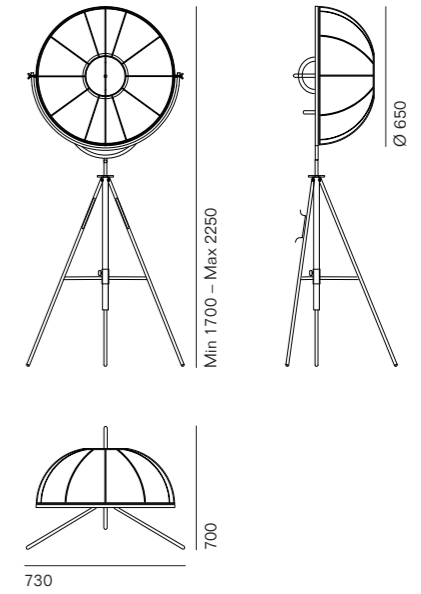
| | | |
|-------------|------|----|
| Fortuny | pag. | 4 |
| Alexandra | pag. | 6 |
| Egg | pag. | 8 |
| Faro Next | pag. | 10 |
| Gilda | pag. | 12 |
| Graffiti | pag. | 14 |
| Papiro | pag. | 16 |
| Ring | pag. | 18 |
| Rock Garden | pag. | 22 |
| Tangent | pag. | 24 |
| Totem | pag. | 26 |
| Tube 2.0 | pag. | 30 |
| Continua | pag. | 32 |
| LaGronda | pag. | 34 |



A



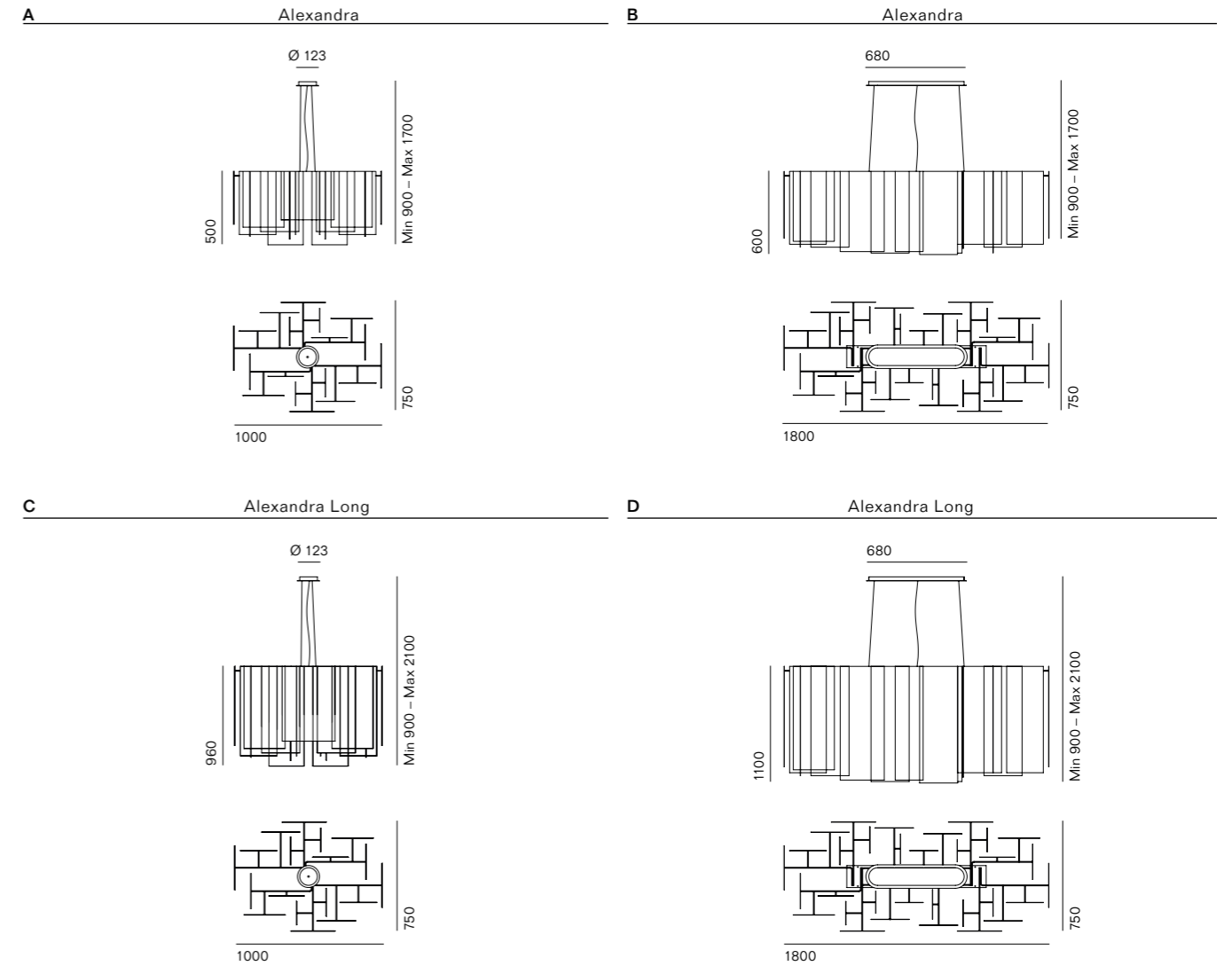
B



| Prodotto Product | Tipologia Type | Lampadine Light bulbs | Dimmer | Lumen | K | Attacco Socket |
|--------------------------------|-------------------|--|--------|-------|------|-------------------|
| Fortuny Black | Terra | • 1 Incandescenza / Incandescent 300 W | • | - | - | E40/E39 |
| Fortuny Moda | Floor | • 1 Incandescenza / Incandescent 300 W | • | - | - | E40/E39 |
| Fortuny Blanca | | • 1 Led 21 W | • | 2500 | 2700 | E27/E26 |
| Fortuny Kieffer Rubelli | | • 1 Led 21 W | • | 2500 | 2700 | E27/E26 |
| Fortuny Bronze Rubelli | | | | | | |
| Fortuny Silver Rubelli | | | | | | |
| A | | | | | | |
| Fortuny Petite Black | Terra | • 1 Incandescenza / Incandescent 300 W | • | - | - | E40/E39 |
| Fortuny Petite Moda | Floor | • 1 Incandescenza / Incandescent 300 W | • | - | - | E40/E39 |
| Fortuny Petite Blanca | | • 1 Led 21 W | • | 2500 | 2700 | E27/E26 |
| Fortuny Petite Kieffer Rubelli | | • 1 Led 21 W | • | 2500 | 2700 | E27/E26 |
| Fortuny Petite Bronze Rubelli | | | | | | |
| Fortuny Petite Silver Rubelli | | | | | | |
| B | | | | | | |

| | Black | Moda | Blanca | Kieffer Rubelli | Bronze Rubelli | Silver Rubelli |
|-------------------------------|---|--|---|---|---|---|
| Struttura Frame |  Nero / Black |  Titanio / Titanium |  Bianco / White |  Nero / Black |  Nero / Black |  Nero / Black |
| Diffusore Diffuser |  Esterno cotone nero, interno cotone bianco / Black cotton outside, white cotton inside |  Esterno cotone beige, interno cotone bianco / Beige cotton outside, white cotton inside |  Esterno cotone bianco, interno cotone bianco / White cotton outside, white cotton inside |  Esterno taffetas plissé nero, interno lino metallico oro / Outside black taffetas plissé, inside gold metallic linen |  Esterno semilucido nero tipo "Raffia", interno lino metallico bronzo / Outside semi gloss black "Raffia Style", inside bronze metallic linen |  Esterno semilucido nero tipo "Raffia", interno argento metallico / Outside semi gloss black "Raffia Style", inside metallic silver |

Alexandra & Alexandra Long



| Prodotto Product | Tipologia Type | Lampadine consigliate Suggested light bulbs | Attacco Socket |
|---------------------|-------------------|---|-------------------|
| Alexandra | Sospensione | • 1 Alogena / Halogen max 105 W | E27/E26 |
| A C | Pendant | • 1 Globo compatta fluorescente / Compact Globo fluorescent Ø 120 30 W | E27/E26 |
| | | • 1 Led max 21 W | E27/E26 |
| | | • 1 Globo compatta fluorescente / Compact Globo fluorescent Ø 120 23 W | E27/E26 |
| Alexandra | Sospensione | • 2 Globo compatte fluorescenti / Compact Globo fluorescent Ø 120 30 W | E27/E26 |
| B D | Pendant | • 2 Alogene / Halogen max 105 W | E27/E26 |
| | | • 2 Led max 21 W | E27/E26 |
| | | • 2 Globo compatte fluorescenti / Compact Globo fluorescent Ø 120 23 W | E27/E26 |

**Struttura
Frame**



1 Metallo verniciato grigio / Lacquered grey metal

**Diffusore
Diffuser**



1 Vetrotresina bianco-avorio / Fiberglass white-ivory

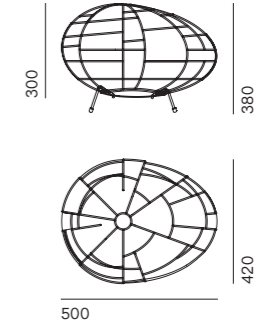
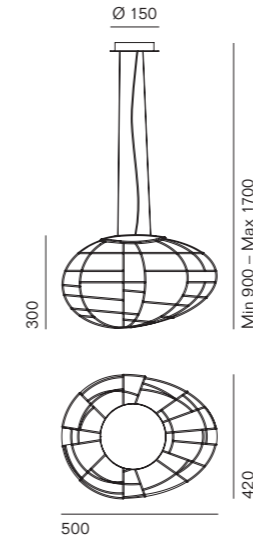
La fibra di vetro può presentare leggere differenze di tonalità tra un lotto e l'altro.
Fiberglass might shows little differences in nuance from a batch to another.

Egg



A

B



| Prodotto Product | Tipologia Type | Lampadine consigliate Suggested light bulbs | Dimmer | Attacco Socket |
|---------------------|-------------------|--|--------|-------------------|
| Egg | Sospensione | • 1 Fluorescente / Fluorescent 33 W | – | E27/E26 |
| A | Pendant | • 1 Led max 21 W | – | E27/E26 |
| | | • 1 Led max 20 W | – | E27/E26 |
| Egg | Tavolo | • 1 Led dimmerabile / Dimmable max 21 W | • | E27/E26 |
| B | Table | • 1 Led dimmerabile / Dimmable max 20 W | • | E27/E26 |

Struttura
Frame



1 Metallo nickelato nero / Nickel black metal

Diffusore
Diffuser

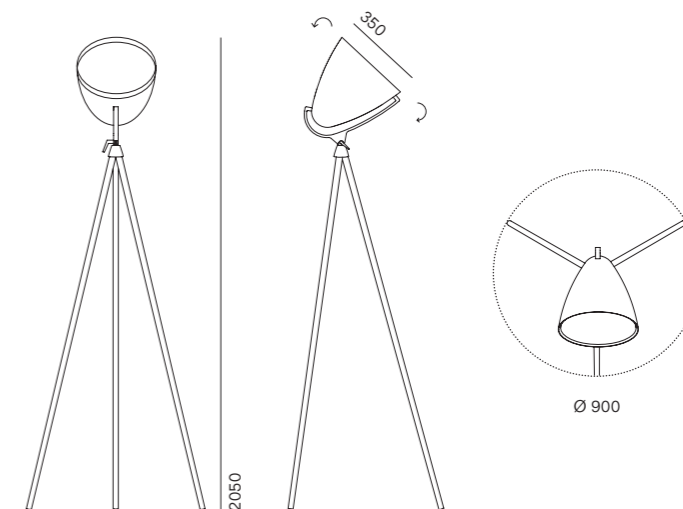


1 Vetro soffiato bianco / White blown glass

Faro Next



A



| Prodotto Product | Tipologia Type | Lampadine consigliate Suggested light bulbs | Lumen | K | Dimmer | Attacco Socket | Volt |
|----------------------------------|-------------------|--|-------|------|--------|-------------------|-----------|
| Faro Next | Terra | • 1 Alogena / Halogen max 205 W | - | - | • | E 27 | 220 / 240 |
| A | Floor | • 1 Alogena / Halogen max 200 W | - | - | • | E 26 | 110 / 120 |
| Lampadine Light bulbs | | | | | | | |
| | | • 1 Led 25,4 W | 4328 | 3000 | • | - | 220 / 240 |
| | | • 1 Led 25,4 W | 4328 | 3000 | • | - | 110 / 120 |

Struttura
Frame



1 Rovere naturale verniciato bianco opaco / Matt white varnished natural oak wood
2 Rovere naturale verniciato nero opaco / Matt black varnished natural oak wood
3 Rovere naturale verniciato trasparente / Transparent varnished natural oak wood

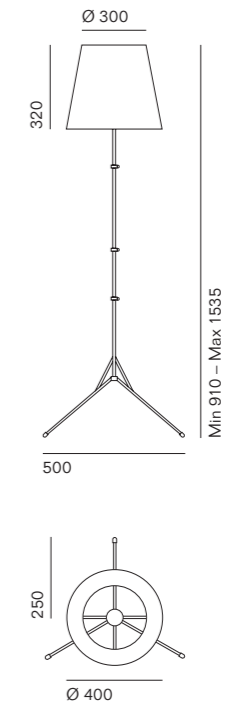
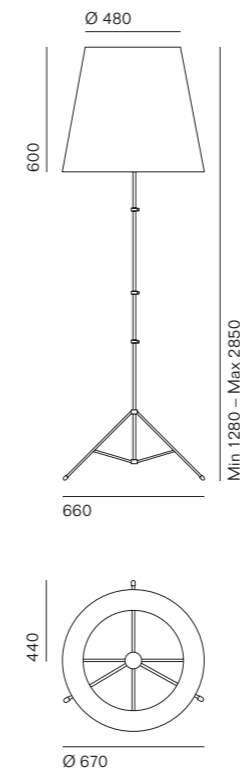
Diffusore
Diffuser



1 Alluminio verniciato bianco opaco / Matt white lacquered aluminium
2 Alluminio verniciato nero opaco / Matt black lacquered aluminium

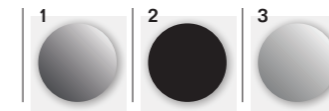


A Gilda **B** Baby Gilda



| Prodotto Product | Tipologia Type | Lampadine consigliate Suggested light bulbs | Dimmer | Attacco Socket |
|---------------------|-------------------|--|--------|--------------------|
| Gilda | Terra | • 1 Alogena / Halogen max 205 W | • | E27/E26 |
| A | Floor | • 1 Led dimmerabile / Dimmable 21 W • 1 Alogena / Halogen max 200 W | • | E27/E26 E27/E26 |
| Baby Gilda | Terra | • 1 Alogena / Halogen max 150 W | • | E27/E26 |
| B | Floor | • 1 Led dimmerabile / Dimmable 21 W • 1 Alogena / Halogen max 150 W | • | E27/E26 E27/E26 |

**Struttura
Frame**

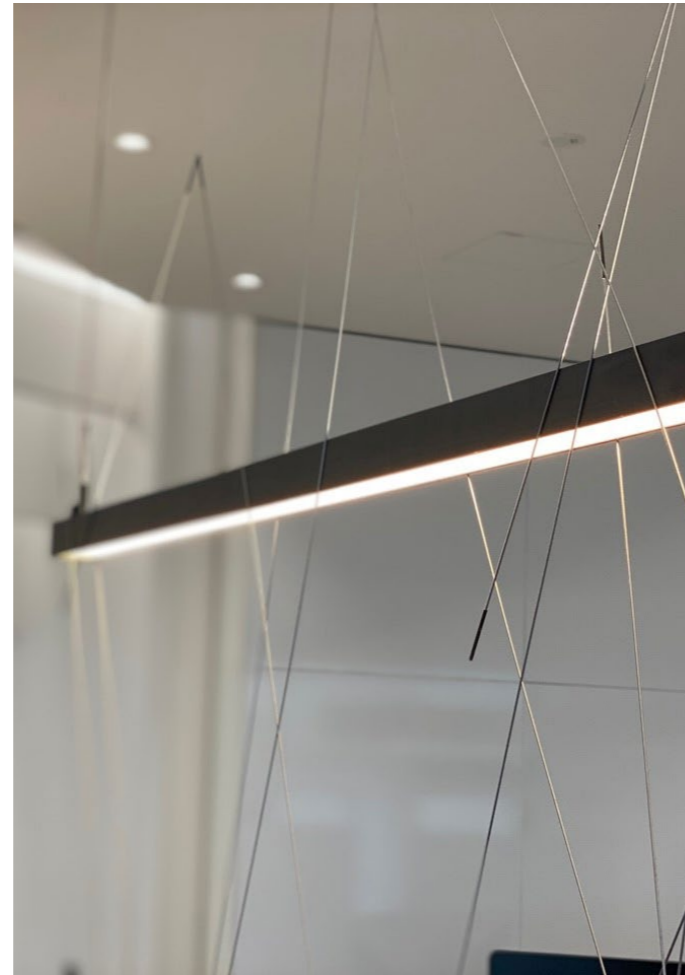


1 Alluminio naturale / Natural aluminium (**Mod. A**) 2 Alluminio nero opaco / Matt black aluminium (**Mod. A**)
3 Metallo nichelato / Nickel - plated metal (**Mod. B**)

**Diffusore
Diffuser**



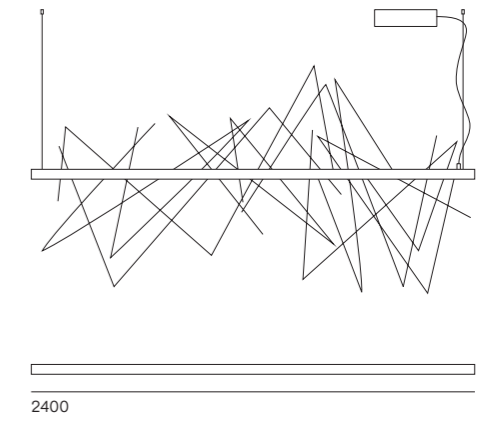
1 Carta pergamena bianca / Parchment paper white 2 Carta pergamena avorio / Parchment paper ivory
3 Juta naturale / Natural jute organic 4 Juta tinta nera / Dyed black jute organic 5 Juta tinta bianca / Dyed white jute organic 6 Plissé pongé bianco / Plissé pongé white 7 Plissé pongé avorio / Plissé pongé ivory



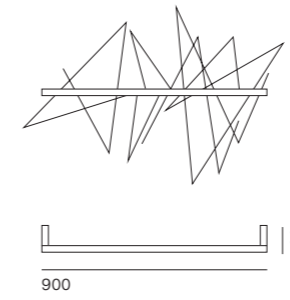
A



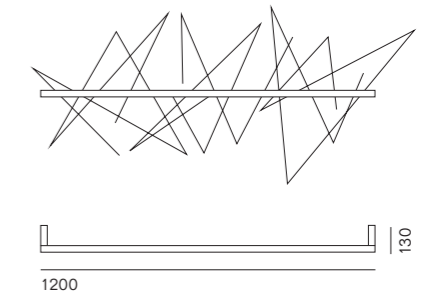
B



C



D



| Prodotto Product | Tipologia Type | Fonte luminosa Light source | Flusso luminoso Luminous flux | K | Volt |
|---------------------|-------------------|--------------------------------|----------------------------------|------|-----------|
| Graffiti | Sospensione | • Strip Led sopra e sotto 57W | 1960 lm/mt | 2700 | 220 / 240 |
| A B | Pendant | StripLed Up & Down 57W | 1960 lm/mt | 2700 | 110 / 120 |
| | | • Strip Led sopra e sotto 85W | 1960 lm/mt | 2700 | 220 / 240 |
| | | StripLed Up & Down 85W | 1960 lm/mt | 2700 | 110 / 120 |
| Graffiti | Applique | • Strip Led sopra e sotto 30W | 1960 lm/mt | 2700 | 220 / 240 |
| C D | Wall | StripLed Up & Down 30W | 1960 lm/mt | 2700 | 110 / 120 |
| | | • Strip Led sopra e sotto 44W | 1960 lm/mt | 2700 | 220 / 240 |
| | | StripLed Up & Down 44W | 1960 lm/mt | 2700 | 110 / 120 |

Struttura
Frame



1 Alluminio antracite satinato con profilo magnetico / Anthracite satined aluminium with magnetic profile

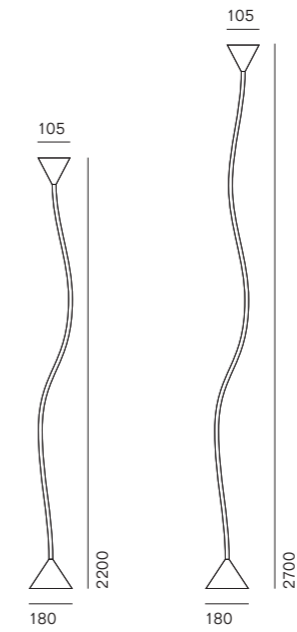
Bacchette decorative
Decorative sticks



1 Acciaio inox / Stainless steel



A



| Prodotto Product | Tipologia Type | Fonte luminosa Light source | Dimmer | Lumen | K | Volt |
|---------------------|-------------------|--------------------------------|--------|-------|------|-----------|
| Papiro | Terra | • Modulo Led 15 W | • | 1190 | 2700 | 220 / 240 |
| A | Floor | • Led Module 15 W | • | 1190 | 2700 | 110 / 120 |

Finitura
Finishes



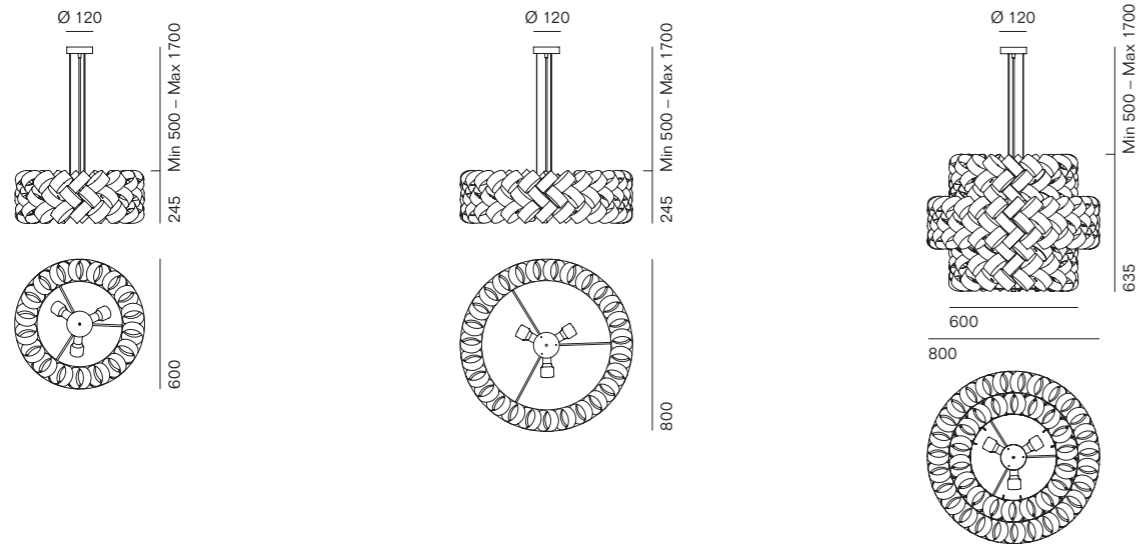
1 Rame naturale / Natural copper 2 Nichel / Nickel 3 Oro perlato / Pearly gold



A

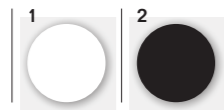
B

C



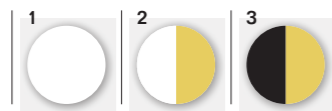
| Prodotto Product | Tipologia Type | Lampadine consigliate Suggested light bulbs | Attacco Socket |
|---------------------|-------------------|---|-------------------------------|
| Ring | Sospensione | • 3 Alogene / Halogen 100 W | E27/E26 |
| A B | Pendant | • 3 Fluorescenti / Fluorescent 20 W • 3 Led max 15 W • 3 Led max 15 W | E27/E26 E27/E26 E27/E26 |
| Ring Mix | Sospensione | • 6 Alogene / Halogen 70 W | E27/E26 |
| C | Pendant | • 6 Fluorescenti / Fluorescent 20 W • 6 Led max 9 W • 6 Led max 9 W | E27/E26 E27/E26 E27/E26 |

Struttura
Frame



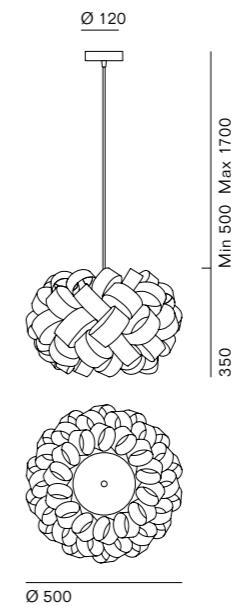
1 Metallo verniciato bianco opaco / Matt white lacquered metal 2 Metallo verniciato nero opaco / Matt black lacquered metal

Diffusore
Diffuser



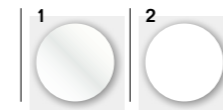
1 PVC bianco / White PVC 2 PVC esterno bianco opaco, interno oro / PVC outside matt white, inside gold 3 PVC esterno nero opaco, interno oro / PVC outside matt black, inside gold

A



| Prodotto Product | Tipologia Type | Lampadine consigliate Suggested light bulbs | Attacco Socket |
|---------------------|-------------------|---|-------------------------------|
| Ring Sphere | Sospensione | • 1 Alogena / Halogen 100 W | E27/E26 |
| A | Pendant | • 1 Fluorescente / Fluorescent 20 W • 1 Led max 21 W • 1 Led max 21 W | E27/E26 E27/E26 E27/E26 |

Struttura
Frame



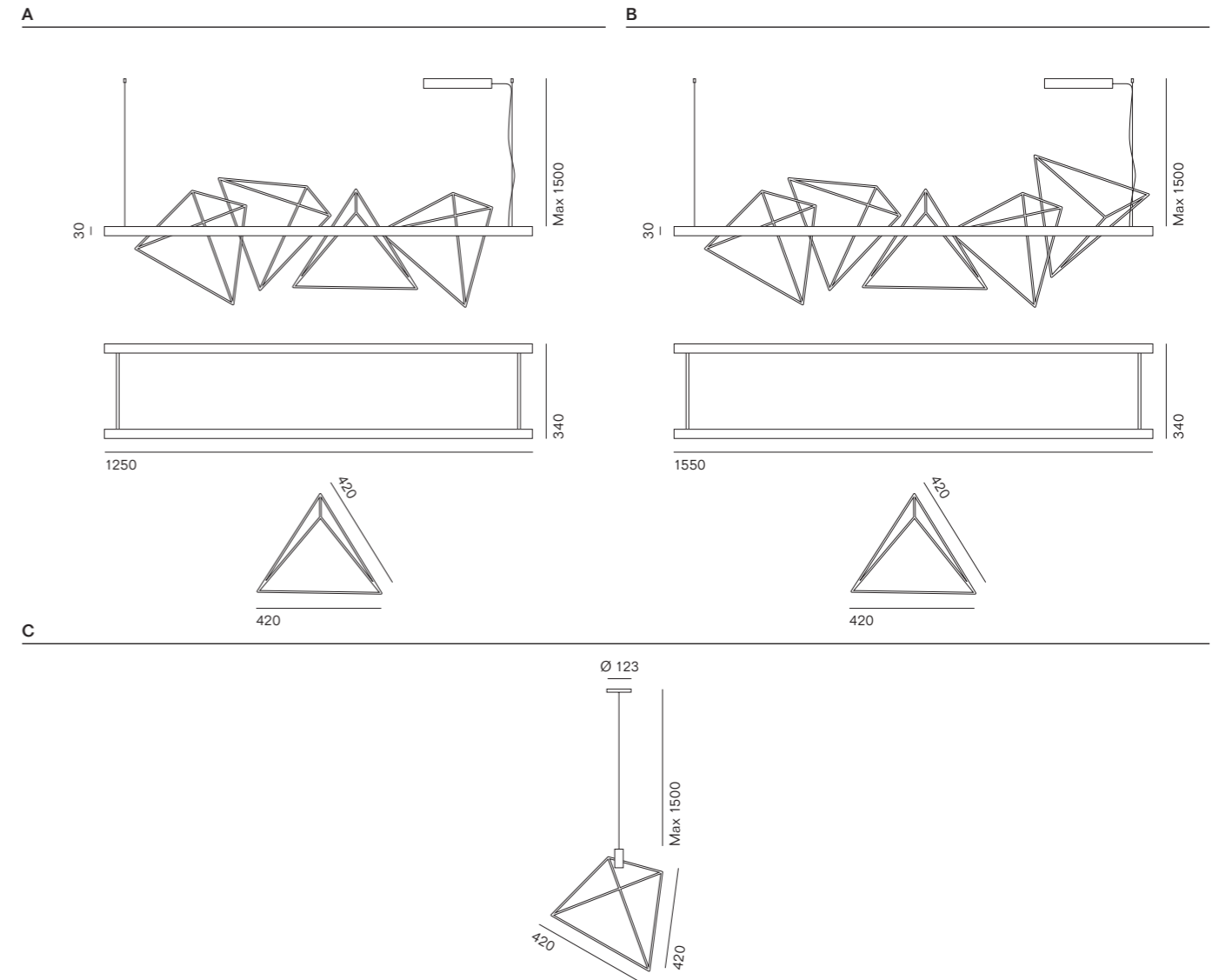
1 Metacrilato trasparente / Transparent methacrilate 2 Metallo verniciato bianco opaco / Matt white lacquered metal

Diffusore
Diffuser



1 Oro / Gold 2 Nichel / Nickel 3 Rame / Copper

Rock Garden



| Prodotto Product | Tipologia Type | Fonte luminosa Light source | Flusso luminoso Luminous flux | K | Dimmer | Attacco Socket | Volt |
|---------------------|-------------------|--|----------------------------------|------|--------|-------------------|-----------|
| Rock Garden | Sospensione | • Strip Led sopra e sotto 72 W | 1960 lm/mt | 2700 | • | - | 220 / 240 |
| A | Pendant | StripLed Up & Down 72 W | 1960 lm/mt | 2700 | • | - | 110 / 120 |
| B | | • Strip Led sopra e sotto 90 W | 1960 lm/mt | 2700 | • | - | 220 / 240 |
| | | StripLed Up & Down 90 W | 1960 lm/mt | 2700 | • | - | 110 / 120 |
| | | Lampadine consigliate Suggested light bulbs | | | | | |
| Rock Garden Spot | Sospensione | • 1 Led PAR 16 6,5 W | | | | GU 10 | 220 / 240 |
| C | Pendant | • 1 Led PAR 16 6 W | | | | GU 10 | 110 / 120 |

Struttura Frame



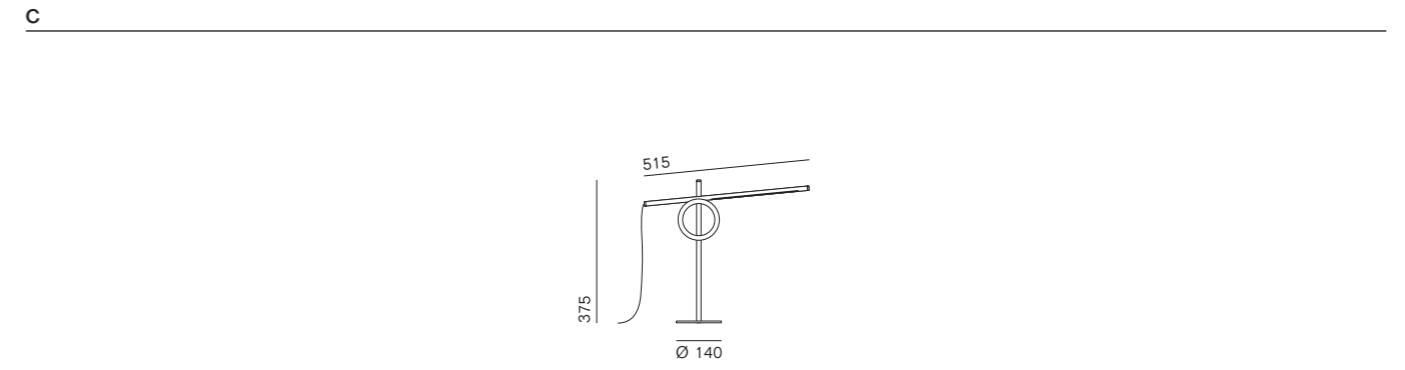
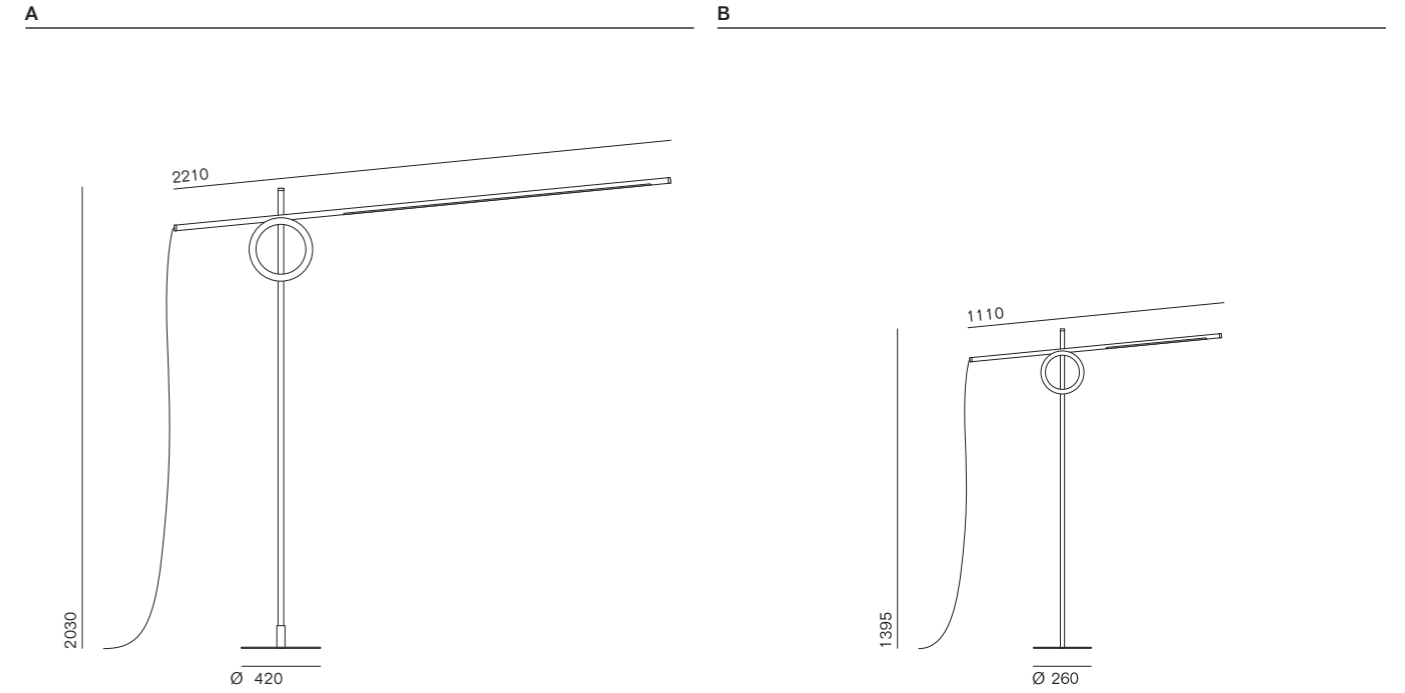
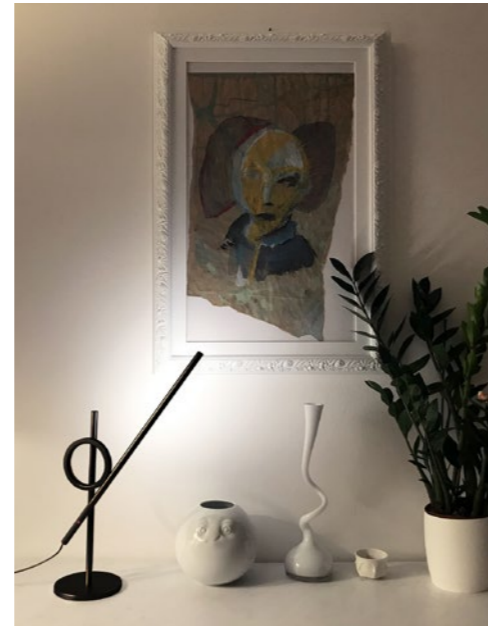
1 Alluminio verniciato bianco opaco / Matt white lacquered aluminium 2 Alluminio verniciato nero opaco / Matt black lacquered aluminium

Diffusore Diffuser



1 Metallo verniciato bianco opaco / Matt white lacquered metal 2 Metallo verniciato nero opaco / Matt black lacquered metal 3 Metallo verniciato rosso opaco / Matt red lacquered metal

Tangent

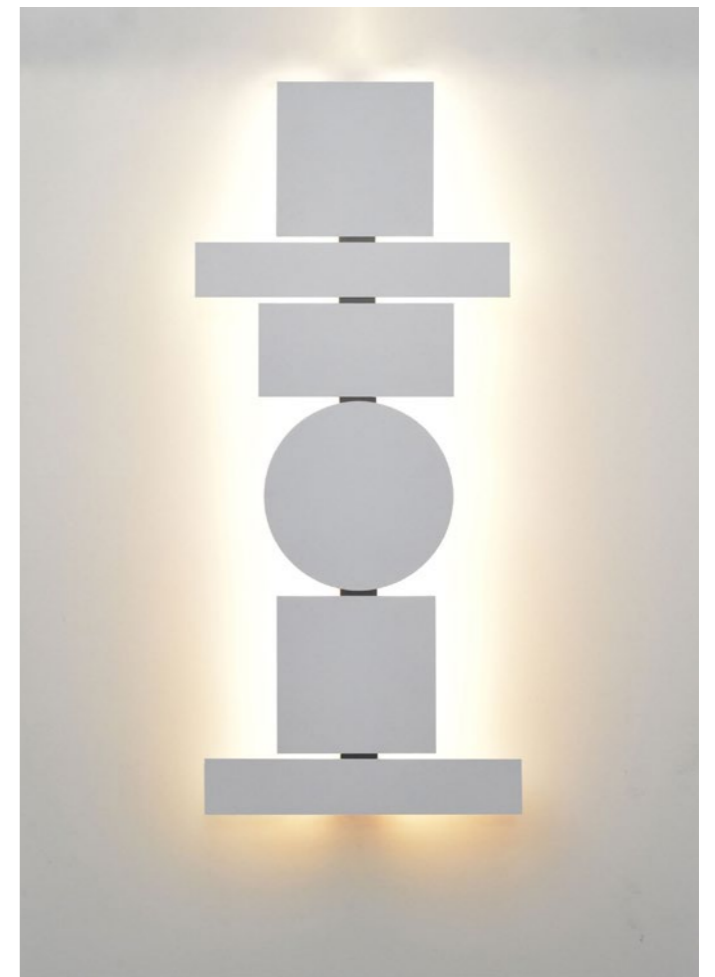
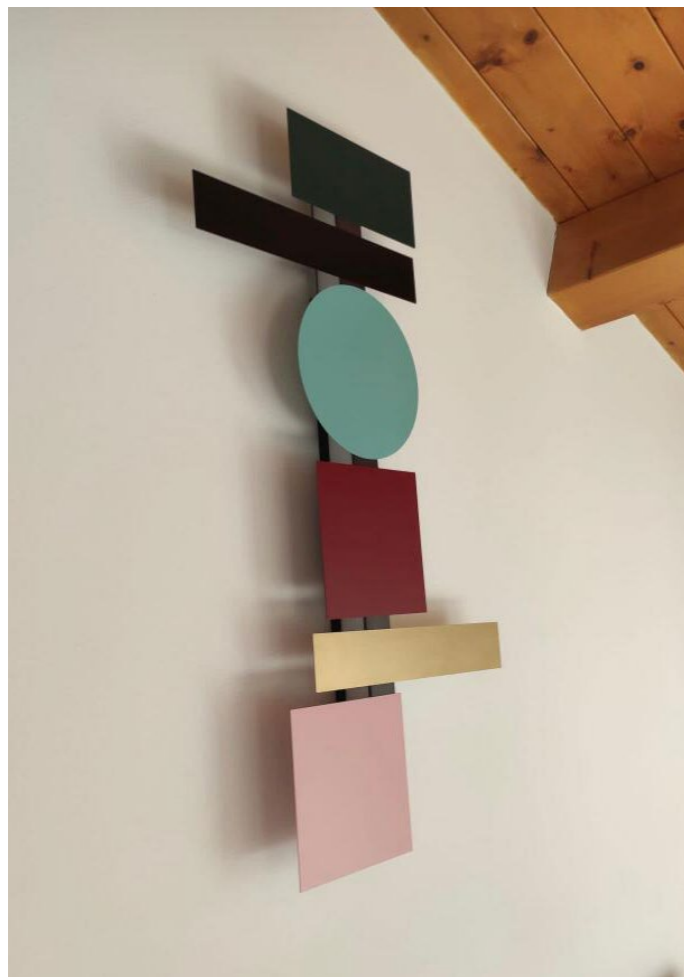
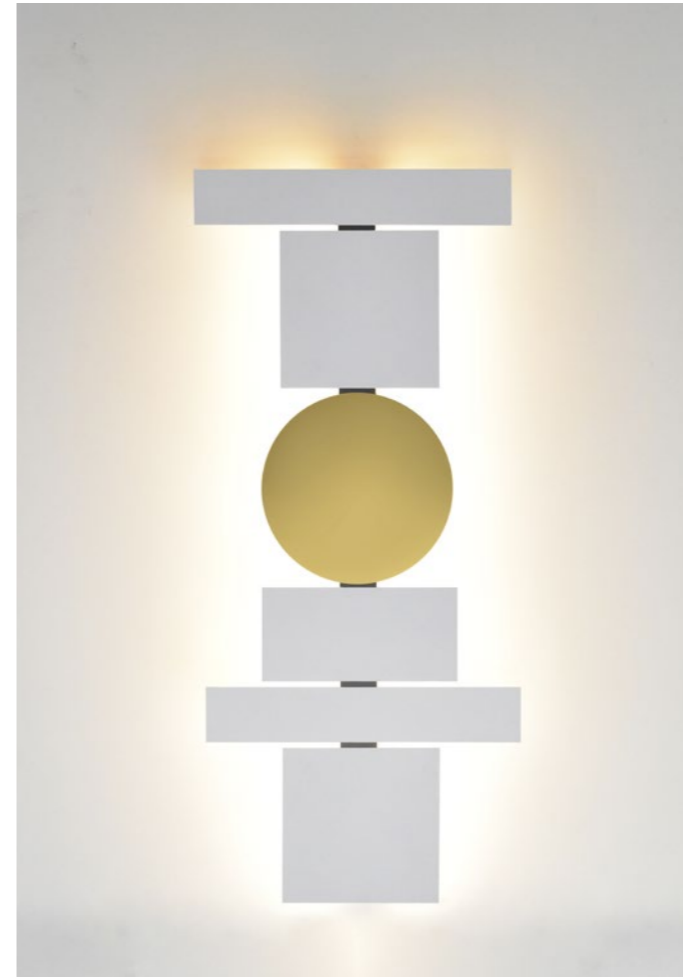
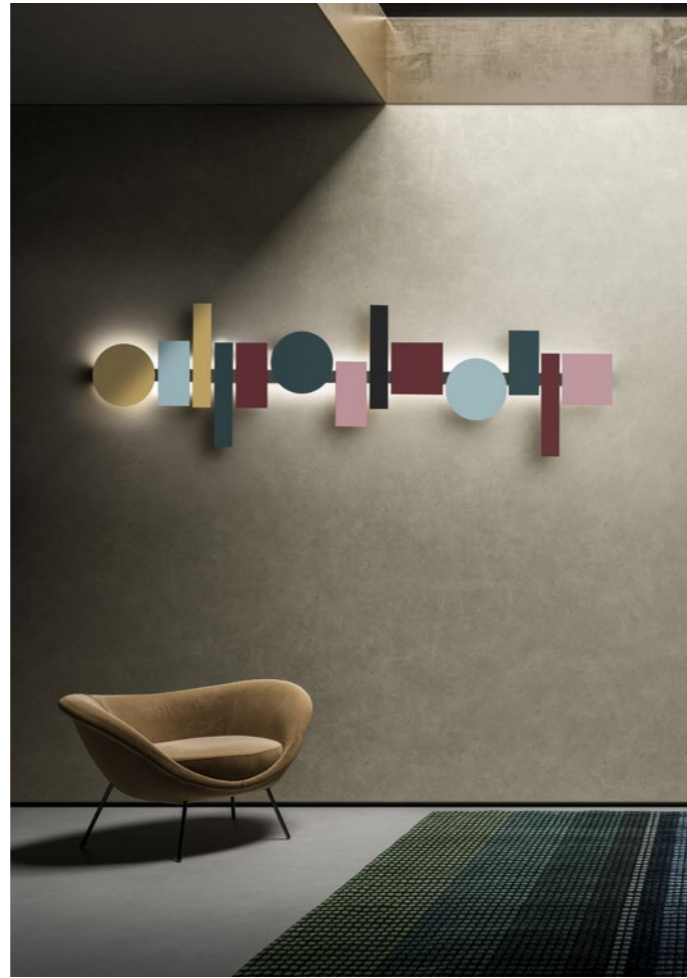


| Prodotto Product | Tipologia Type | Fonte luminosa Light source | Flusso luminoso Luminous flux | Lumen | K | Dimmer | Volt |
|---------------------|-------------------|--------------------------------|----------------------------------|-------|-------|--------|---------|
| Tangent XL | Terra | Strip Led 23 W | 2150 lm/mt | 3.640 | 3.000 | • | 220/240 |
| A | Floor | Strip Led 23 W | 2150 lm/mt | 3.640 | 3.000 | • | 110/120 |
| Tangent media | Terra | Strip Led 14 W | 2150 lm/mt | 2.000 | 3.000 | • | 220/240 |
| B | Floor | Strip Led 14 W | 2150 lm/mt | 2.000 | 3.000 | • | 110/120 |
| Tangent mini | Tavolo | Strip Led 4,8 W | 1050 lm/mt | 435 | 3.000 | • | 220/240 |
| C | Table | Strip Led 4,8 W | 1050 lm/mt | 435 | 3.000 | • | 110/120 |

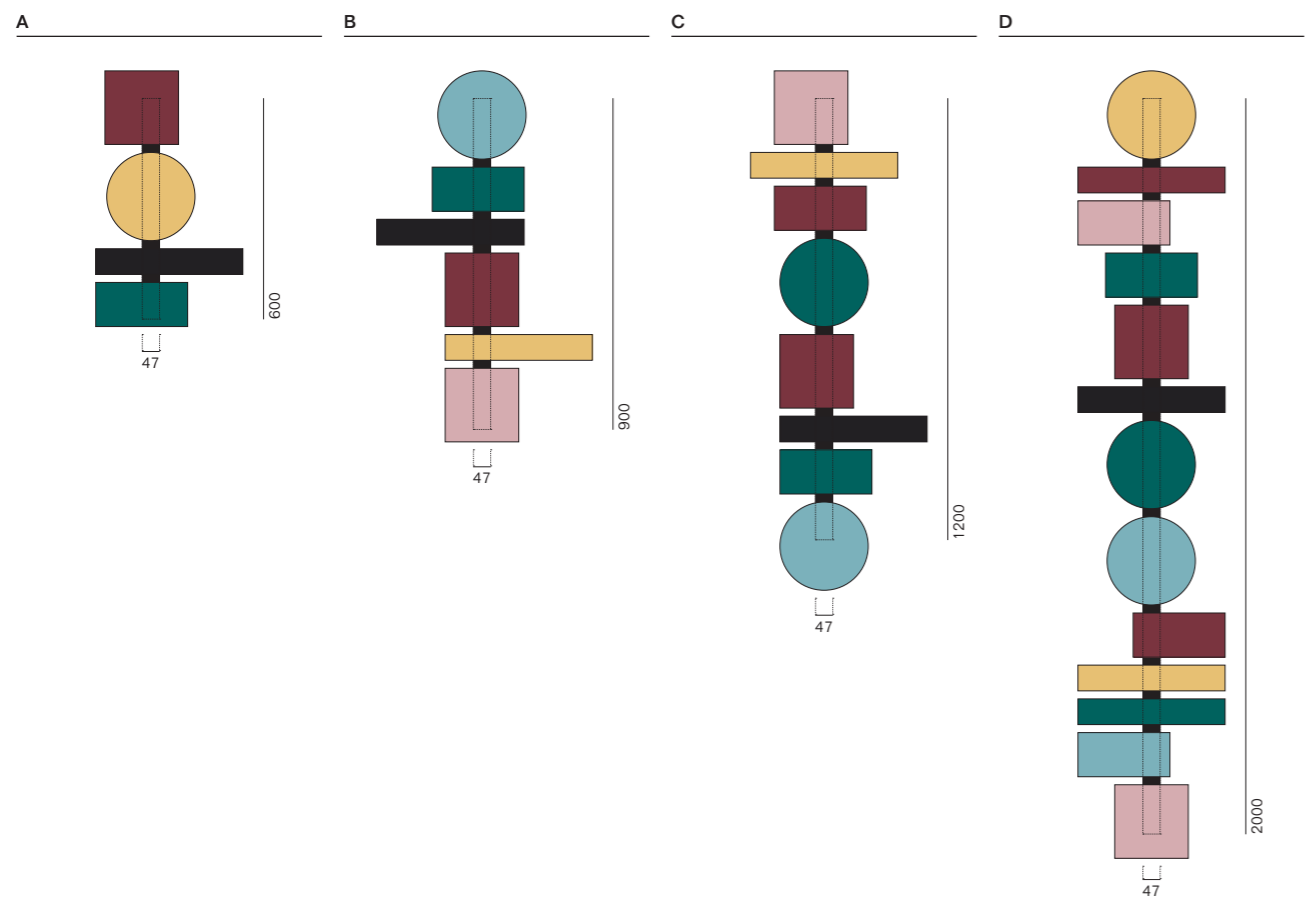
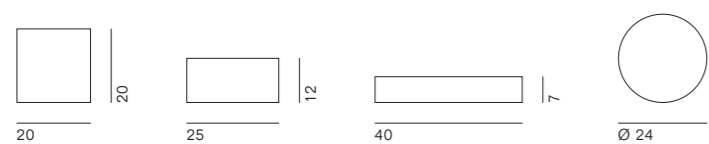
Struttura
Frame



1 Alluminio verniciato bianco / White lacquered aluminium 2 Alluminio verniciato nero / Black lacquered aluminium



Forme
Shapes



| Prodotto Product | Tipologia Type | Fonte luminosa Light source | Flusso luminoso Luminous flux | Lumen | K | Volt |
|---------------------|-------------------|--------------------------------|----------------------------------|-------|-------|---------|
| Totem | Applique | Strip Led 23 W | 1960 lm/mt - 140 lm/W | 2.580 | 2.700 | 220/240 |
| A | Wall | Strip Led 23 W | 1960 lm/mt - 140 lm/W | 2.580 | 2.700 | 110/120 |
| Totem | Applique | Strip Led 33 W | 1960 lm/mt - 140 lm/W | 3.870 | 2.700 | 220/240 |
| B | Wall | Strip Led 33 W | 1960 lm/mt - 140 lm/W | 3.870 | 2.700 | 110/120 |
| Totem | Applique | Strip Led 45 W | 1960 lm/mt - 140 lm/W | 5.160 | 2.700 | 220/240 |
| C | Wall | Strip Led 45 W | 1960 lm/mt - 140 lm/W | 5.160 | 2.700 | 110/120 |
| Totem | Applique | Strip Led 58 W | 1960 lm/mt - 140 lm/W | 8.600 | 2.700 | 220/240 |
| D | Wall | Strip Led 58 W | 1960 lm/mt - 140 lm/W | 8.600 | 2.700 | 110/120 |

La lampada può essere installata anche orizzontalmente / The lamp can also be installed horizontally

Struttura
Frame



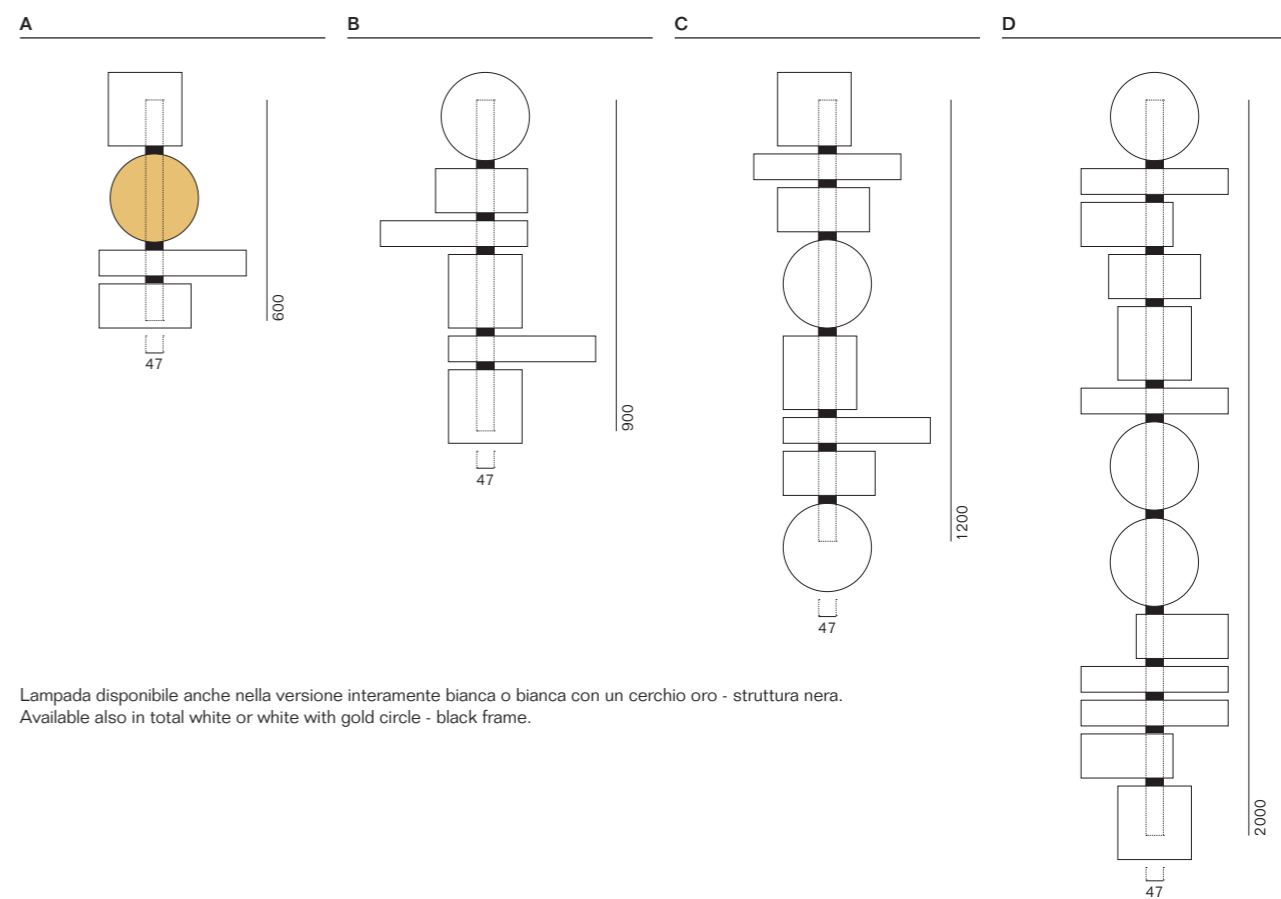
1 Alluminio verniciato nero opaco con profilo magnetico / Matt black painted aluminum with magnetic profile

Elementi decorativi
Decorative elements



1 Rosa / Pink 2 Rosso porpora / Purple red 3 Nero opaco / Matt black 4 Ottanio / Blue green
5 Acquamarina / Aquamarine 6 Oro / Gold

Shapes



Lampada disponibile anche nella versione interamente bianca o bianca con un cerchio oro - struttura nera.
Available also in total white or white with gold circle - black frame.

| Prodotto Product | Tipologia Type | Fonte luminosa Light source | Flusso luminoso Luminous flux | Lumen | K | Volt |
|---------------------|-------------------|--------------------------------|----------------------------------|-------|-------|---------|
| Totem | Applique | Strip Led 23 W | 1960 lm/mt - 140 lm/W | 2.580 | 2.700 | 220/240 |
| A | Wall | Strip Led 23 W | 1960 lm/mt - 140 lm/W | 2.580 | 2.700 | 110/120 |
| Totem | Applique | Strip Led 33 W | 1960 lm/mt - 140 lm/W | 3.870 | 2.700 | 220/240 |
| B | Wall | Strip Led 33 W | 1960 lm/mt - 140 lm/W | 3.870 | 2.700 | 110/120 |
| Totem | Applique | Strip Led 45 W | 1960 lm/mt - 140 lm/W | 5.160 | 2.700 | 220/240 |
| C | Wall | Strip Led 45 W | 1960 lm/mt - 140 lm/W | 5.160 | 2.700 | 110/120 |
| Totem | Applique | Strip Led 58 W | 1960 lm/mt - 140 lm/W | 8.600 | 2.700 | 220/240 |
| D | Wall | Strip Led 58 W | 1960 lm/mt - 140 lm/W | 8.600 | 2.700 | 110/120 |

La lampada può essere installata anche orizzontalmente / The lamp can also be installed horizontally

Struttura
Frame



1 Alluminio verniciato nero opaco con profilo magnetico / Matt black painted aluminum with magnetic profile

Elementi decorativi
Decorative elements

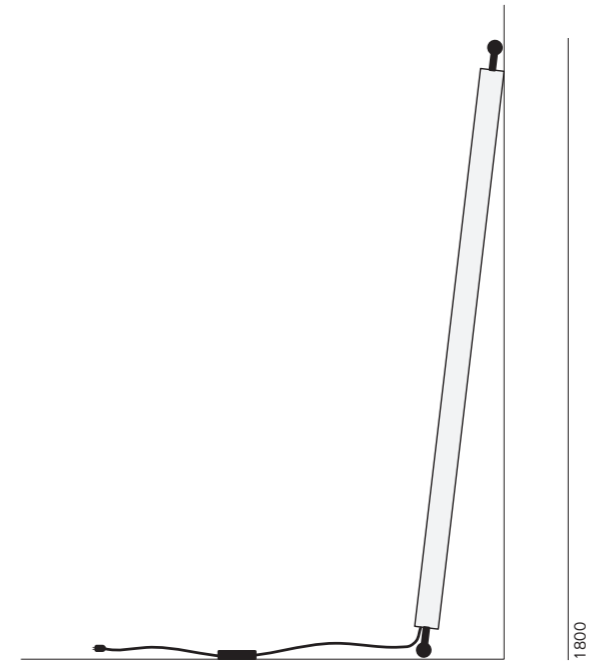


1 Bianco / White 2 Oro / Gold

Tube



A



| Prodotto Product | Tipologia Type | Fonte luminosa Light source | Flusso luminoso Luminous flux | Lumen | K | Dimmer | Volt |
|---------------------|-------------------|--------------------------------|----------------------------------|-------|-------|--------|-----------|
| Tube 2.0 | Terra | Strip Led 27,5 W | 730 lm/mt - 140 lm/W | 3.600 | 2.700 | • | 220 / 240 |
| A | Floor | Strip Led 27,5 W | 730 lm/mt - 140 lm/W | 3.600 | 2.700 | • | 110 / 120 |

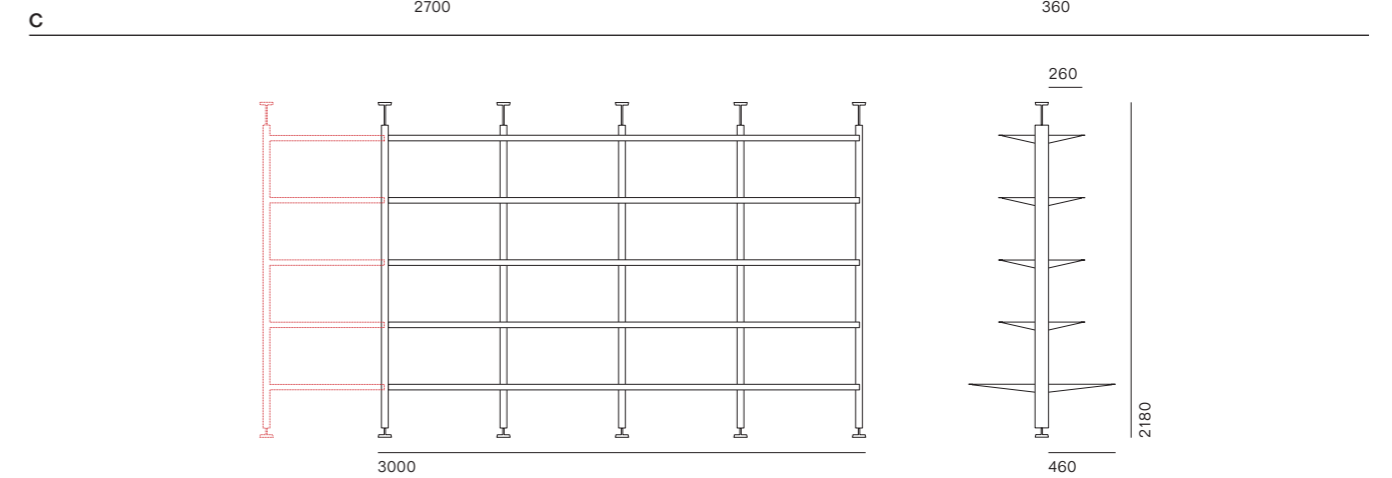
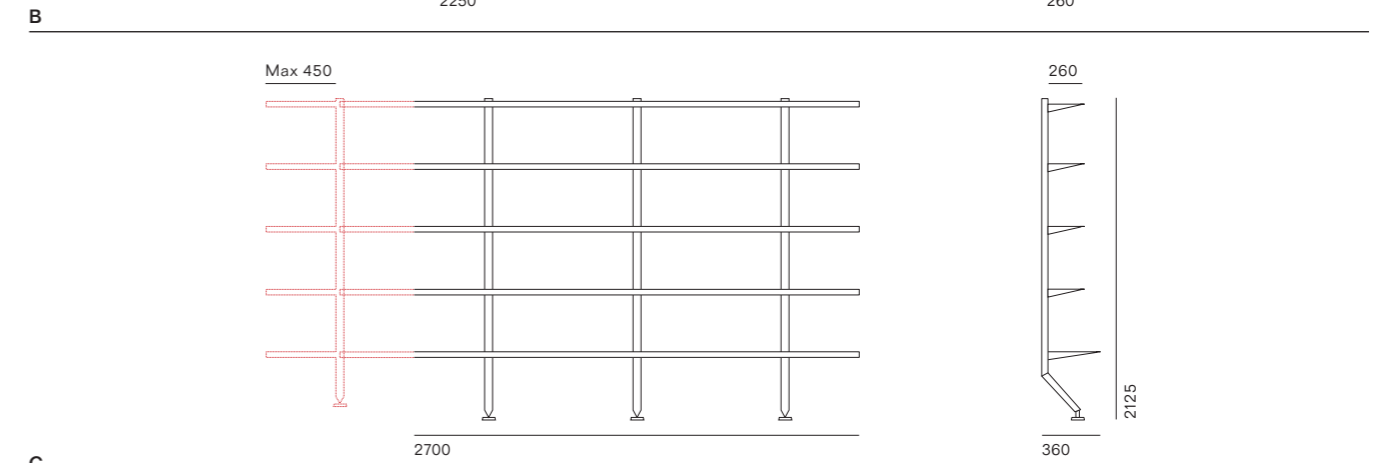
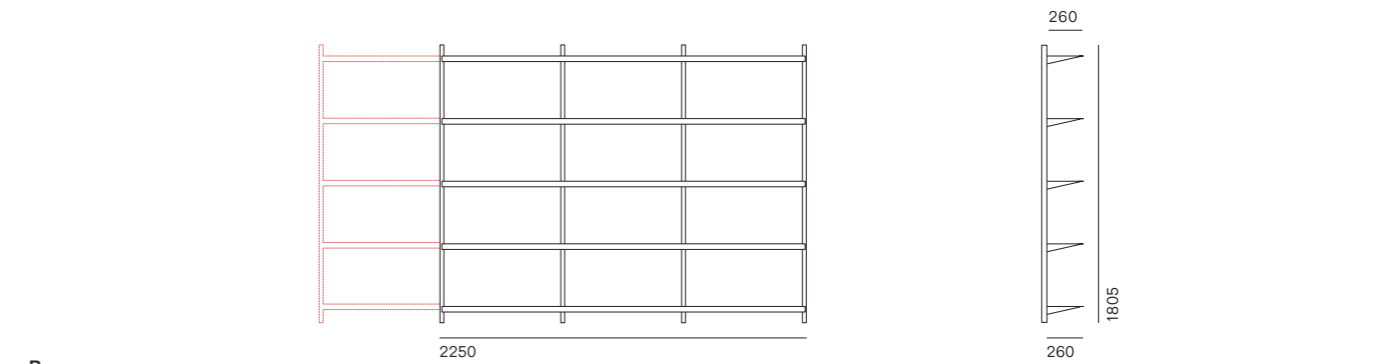
Struttura
Frame



1 Tubo in metacrilato extra chiaro / Extra clear methacrilate tube



A Sistema modulare / Modular system



| Prodotto Product | Tipologia Type | Note Remarks |
|---------------------|------------------------|---|
| Continua | Libreria a parete | Interasse max 900 mm, portata max 40 kg / m |
| A B | Wall-mounted bookcase | / Max distance between uprights 900 mm, max 40 kg / meter |
| Continua | Libreria autoportante | Interasse max 900 mm, portata max 40 kg / m |
| C | Free standing bookcase | / Max distance between uprights 900 mm, max 40 kg / meter |

Montanti
Uprights

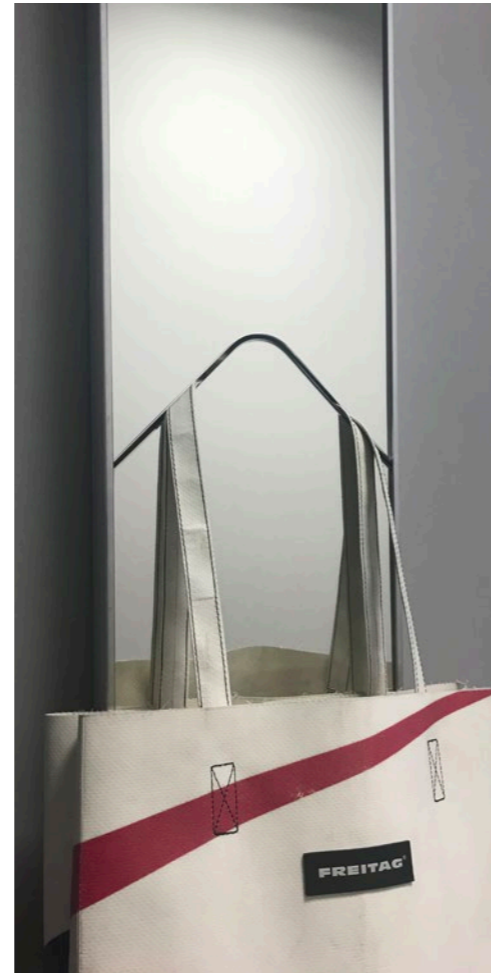


1 Alluminio verniciato argento opaco / Matt silver lacquered aluminium 2 Alluminio verniciato bianco opaco / Matt white lacquered aluminium 3 Alluminio verniciato nero opaco / Matt black lacquered aluminium

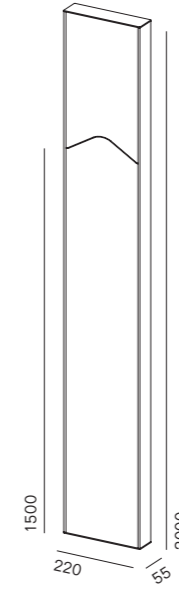
Piani e reggipiani
Shelves and brackets



1 Acciaio verniciato argento opaco / Matt silver lacquered steel 2 Acciaio verniciato bianco opaco / Matt white lacquered steel 3 Acciaio verniciato nero opaco / Matt black lacquered steel



A



| Prodotto Product | Tipologia Type | Note Remarks |
|---------------------|------------------------|---|
| LaGronda | Appendiabiti, Specchio | Struttura: alluminio verniciato. Specchio |
| A | Coat hanger, Mirror | Frame: lacquered aluminium. Mirror |

Struttura
Frame



1 Alluminio verniciato argento / Silver lacquered aluminium 2 Alluminio verniciato nero / Black lacquered aluminium
3 Alluminio verniciato bronzo perlato / Pearly bronze lacquered aluminium

Specchio
Mirror



1 Specchio chiaro / Clear mirror 2 Specchio fumé / Smoked mirror 3 Specchio bronzo / Bronze mirror

www.pallucco.com

Pallucco s.a.s. di Lando Lino & C.

Registered Office

San Marco – N°4670

30124 Venezia, Italy

Headquarters

Via Meucci – N°4

31022 Preganziol

Treviso, Italy

Commerciale Italia

T +39 0422 43 86 00

F +39 0422 43 85 55

International Sales Department

T +39 0422 43 86 22

F +39 0422 43 85 55

info@pallucco.com

www.pallucco.com